

FRIGIDAIRE

GALLERY®



Freestanding Range

FGEF3041K F

30" Electric



Product Dimensions

| | |
|--------------------------|---------|
| Height (Max.) | 47-1/2" |
| Width | 29-7/8" |
| Depth (Including Handle) | 28-1/2" |

More Easy-To-Use Features

Fits-More™ Cooktop

The Fits-More™ cooktop features five elements so you can cook more at once.

Even Baking Technology

Our latest technology ensures even baking every time.

Auto Oven Shut-Off

As an extra safety measure, the oven will automatically shut off after 12 hours.

One-Touch Self Clean

Start the self-cleaning cycle with just the touch of a button.

Quick Clean

For a quick, light oven cleaning.

Delay Start

Set your oven to begin cooking on your schedule. It can be programmed from one to 24 hours.

Available in:



Stainless
(F)

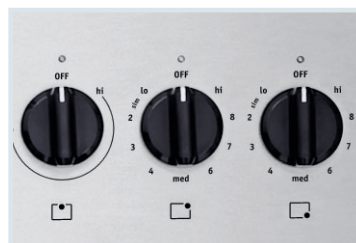
| Elements | Size | Watts |
|-------------|----------------|-------|
| Right Front | 12" | 2,700 |
| Right Rear | 6" | 1,200 |
| Left Front | 9" | 3,000 |
| Left Rear | 6" | 1,200 |
| Center | Keep Warm Zone | 100 |

Signature Features



Quick Boil

Boils water faster.



Express-Select® Controls

Easily go from warm to boil.



Keep Warm Zone

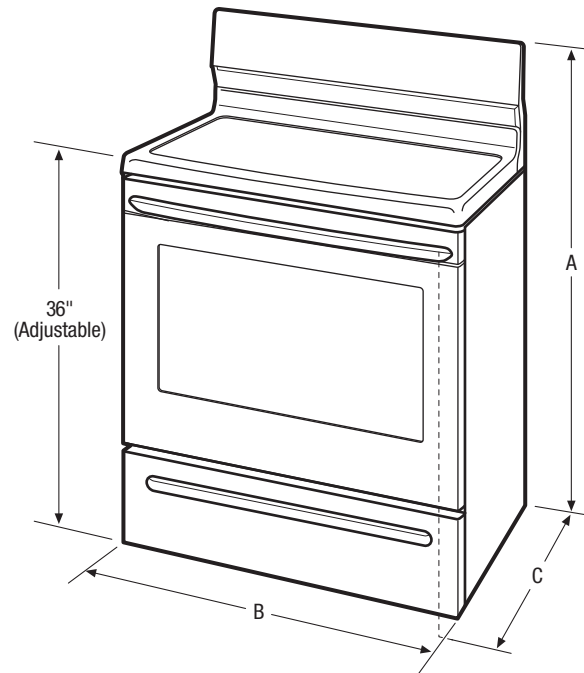
Keep food warm until everyone — and everyone — is ready.



Smudge-Proof Stainless Steel

Protective coating reduces fingerprints and smudges so it's easy to clean.

| Features | |
|--|------------------------------|
| Oven Control/Timing System | Express-Select® Controls |
| Surface Type | Black Ceramic Glass |
| Window | Extra-Large |
| Exterior Door Finish | Smudge-Proof Stainless Steel |
| Handle Design | Stainless Steel |
| Exterior Finish (Side Panels) | Black |
| Convection System | |
| Oven Cleaning System | Self Clean |
| Drawer Functionality | Storage |
| Oven Controls | |
| Bake/Broil | Yes/Low and High |
| Effortless™ Convection Conversion | |
| Convection Bake/Broil/Roast | |
| Quick Bake Convection | |
| Quick Preheat | |
| My Favorite | |
| Chicken Nugget Button | |
| Pizza Button | |
| Keep Warm | |
| Add-a-Minute | |
| Delay Bake | Yes |
| Self Clean | Yes |
| Quick Clean Option | Yes |
| Delay Clean | 2, 3 Hours |
| Kitchen Timer/Timed Cook Option | Yes/Yes |
| Auto Oven Shut-Off | 12 Hours |
| Oven Lock-Out | Yes |
| Lower Drawer Control | |
| Cooktop Features | |
| Right Front Element (Watts) | 12" - 2,700 |
| Right Rear Element (Watts) | 6" - 1,200 |
| Left Front Element (Watts) | 9" - 3,000 |
| Left Rear Element (Watts) | 6" - 1,200 |
| Bridge Element (Watts) | |
| Center Element (Watts) | Keep Warm Zone - 100 |
| Oven Features | |
| Capacity (Cu.Ft.) | 5.4 |
| Oven Light | 1 |
| Hidden Bake Element | Yes |
| Rack Configuration | 2 Standard, 1 Offset |
| Baking System | Even Baking Technology |
| Broiling System | Vari-Broil™ Hi/Lo |
| Bake Element/Broil Element (Watts) | 3,500/3,600 |
| Drawer Racks | |
| Certifications | |
| Sabbath Mode (Star-K® Cert.) | |
| Specifications | |
| Oven Interior (H x W x D) | 21" x 24-3/8" x 19-1/8" |
| Power Supply Connection Location | Middle Bottom Rear |
| Voltage Rating | 240V/208V/60Hz |
| Connected Load (kW Rating) @ 240/208 Volts | 12.5/9.5 |
| Minimum Circuit Required (Amps) | 40 |
| Shipping Weight (Approx.) | 205 Lbs. |



NOTE: For planning purposes only. Always consult local and national electric codes. Refer to Product Installation Guide for detailed installation instructions on the web at frigidaire.com.



| Product Dimensions | |
|------------------------------|---------|
| A - Height (Max.) | 47-1/2" |
| B - Width | 29-7/8" |
| C - Depth (Including Handle) | 28-1/2" |
| Depth with Door Open 90° | 48-3/8" |

| Cutout Dimensions | |
|-------------------|-----|
| Height (Standard) | 36" |
| Width (Min.) | 30" |
| Depth (Min.) | 24" |

Accessories information available on the web at frigidaire.com

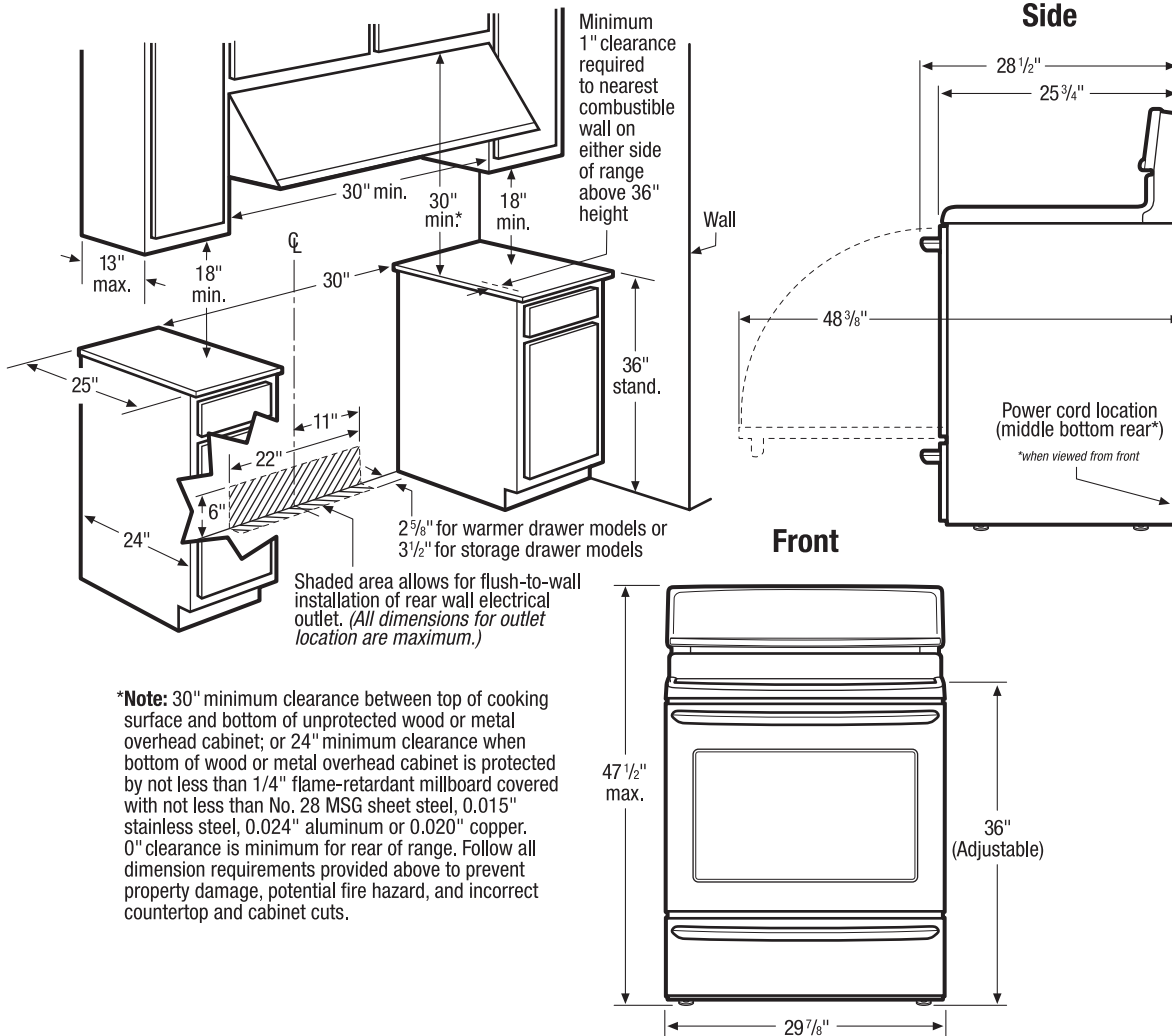
FRIGIDAIRE

USA • 10200 David Taylor Drive • Charlotte, NC 28262 • 1-800-FRIGIDAIRE • frigidaire.com
CANADA • 5855 Terry Fox Way • Mississauga, ON L5V 3E4 • 1-800-265-8352 • frigidaire.ca

FGEF3041K 10/11

© 2011 Electrolux Home Products, Inc.

Specifications subject to change.



***Note:** 30" minimum clearance between top of cooking surface and bottom of unprotected wood or metal overhead cabinet; or 24" minimum clearance when bottom of wood or metal overhead cabinet is protected by not less than 1/4" flame-retardant millboard covered with not less than No. 28 MSG sheet steel, 0.015" stainless steel, 0.024" aluminum or 0.020" copper. 0" clearance is minimum for rear of range. Follow all dimension requirements provided above to prevent property damage, potential fire hazard, and incorrect countertop and cabinet cuts.

Freestanding Range Specifications

- Product Shipping Weight (approx.) - 205 Lbs.
- Single phase 3- or 4-wire cable, 120/240 or 120/208 Volt, 60 Hertz, fused on both sides of line with ground.
- Connected Load (kW Rating) @ 240/208 Volts = 12.5/9.5kW
- Recommended Circuit Breaker - 40 Amps
- Always consult local and national electric codes.
- Make sure wall coverings around range can withstand heat generated by range.
- Floor beneath range MUST be solid and level.
- Overhead cabinetry should not exceed a 13" maximum depth.
- Absolute minimum horizontal distance between overhead cabinets installed to either side of appliance must be no less than maximum width of appliance.
- Range can be installed flush to wall with 0" minimum rear clearance.
- Minimum 1" clearance required from edge of rangetop to nearest combustible wall on either side of range above 36" height.

- Allow 30" minimum clearance between top of cooking surface and bottom of unprotected wood or metal overhead cabinet; or 24" minimum clearance when bottom of wood or metal overhead cabinet is protected by not less than 1/4" flame retardant millboard covered with not less than No. 28 MSG sheet steel, 0.015" stainless steel, 0.024" aluminum or 0.020" copper.
- To reduce risk of fire when using overhead cabinetry, install range hood that projects horizontally a recommended minimum of 5" beyond bottom of cabinets.
- Follow all dimension requirements provided to prevent property damage, potential fire hazard, and incorrect countertop and cabinet cuts.

Note: For planning purposes only. Refer to Product Installation Guide on the web at frigidaire.com for detailed instructions.

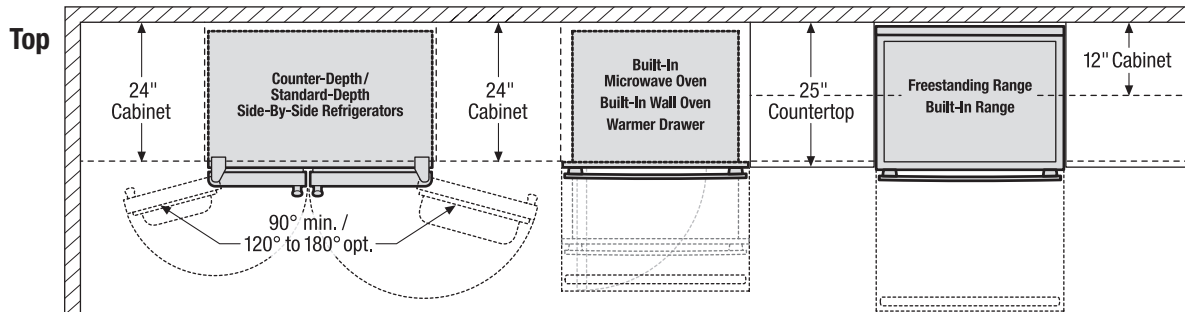


Use these dimensions and clearance instructions for planning purposes only. For detailed installation instructions, refer to installation guide, packed with product, or on the web at frigidaire.com.



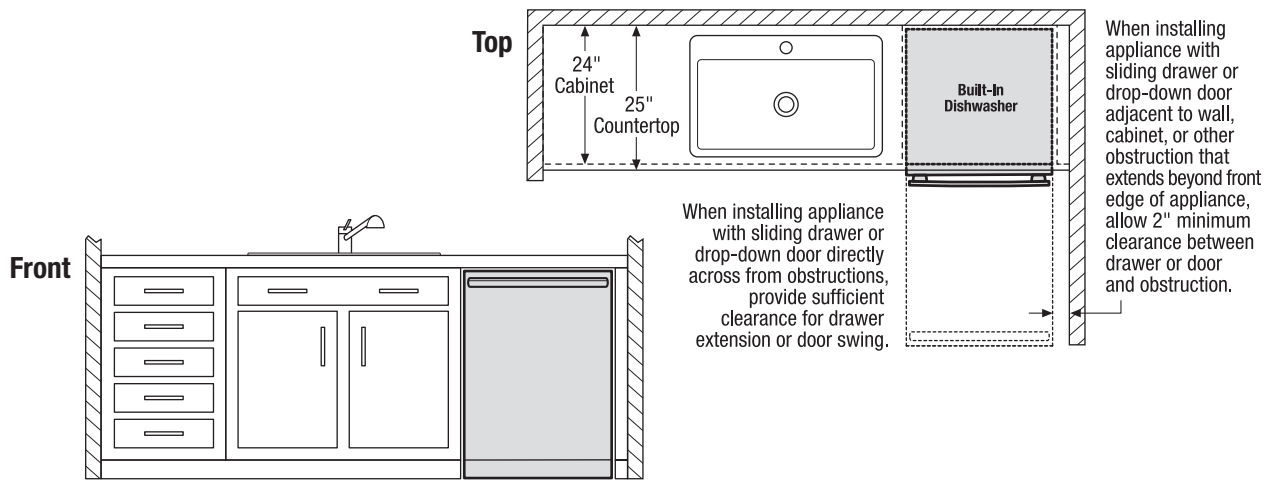
When installing appliances adjacent to each other, 20" minimum distance between each appliance required.

When installing built-in cooking appliances in combination, 2" minimum visible gap between appliance faceplates required.



When installing side-by-side refrigerator adjacent to wall, cabinet or another appliance that extends beyond front edge of unit, 20" minimum clearance recommended to allow for optimum 120° to 180° door swing, providing complete drawer/crisper access and removal.

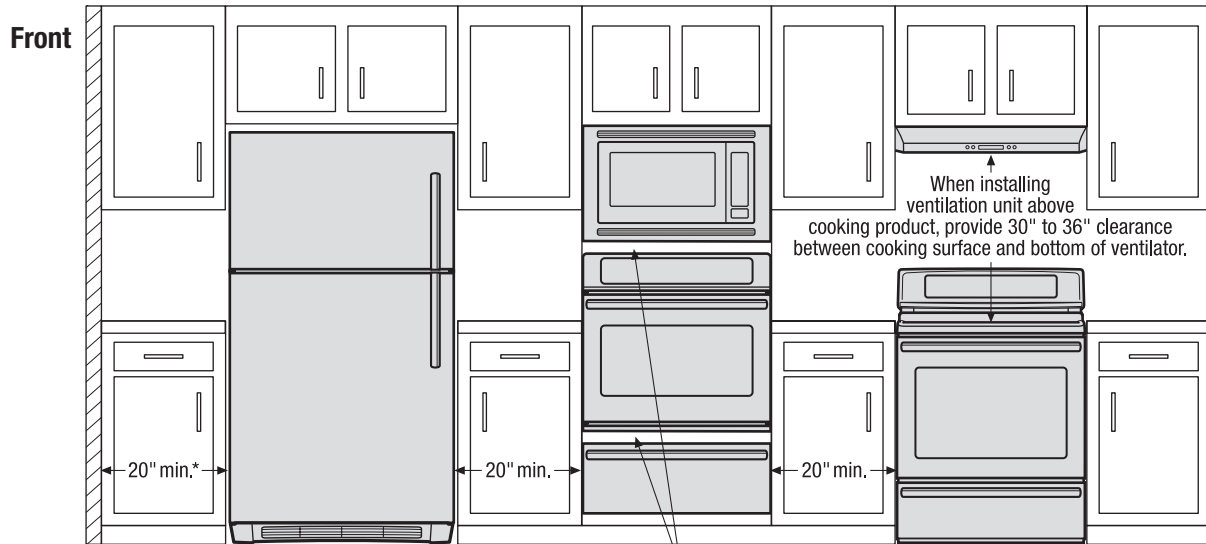
When installing appliance with sliding drawer, swinging or drop-down door directly across from obstructions, provide sufficient clearance for drawer extension or door swings.



When installing appliance with sliding drawer or drop-down door directly across from obstructions, provide sufficient clearance for drawer extension or door swing.

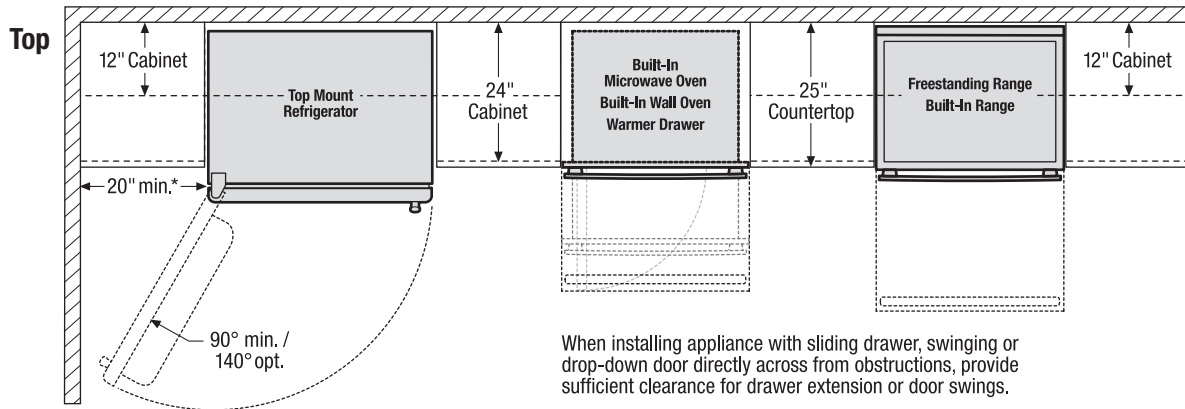
When installing appliance with sliding drawer or drop-down door adjacent to wall, cabinet, or other obstruction that extends beyond front edge of appliance, allow 2" minimum clearance between drawer or door and obstruction.

Use these dimensions and clearance instructions for planning purposes only. For detailed installation instructions, refer to installation guide, packed with product, or on the web at frigidaire.com.



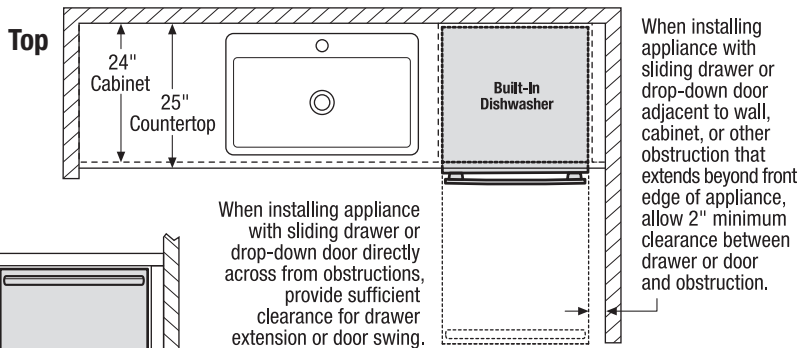
When installing appliances adjacent to each other, 20" minimum distance between each appliance required.

When installing built-in cooking appliances in combination, 2" minimum visible gap between appliance faceplates required.



When installing appliance with sliding drawer, swinging or drop-down door directly across from obstructions, provide sufficient clearance for drawer extension or door swings.

*When installing refrigerator adjacent to wall, cabinet or other appliance that extends beyond front edge of unit, 20" minimum clearance recommended to allow for optimum 140° door swing, providing complete crisper access and removal. (Absolute 3" minimum clearance will ONLY allow for 90° door swing which will provide limited crisper access with restricted removal.)



When installing appliance with sliding drawer or drop-down door directly across from obstructions, provide sufficient clearance for drawer extension or door swing.

