

Powermax125®

Duramax™ Hyamp hand/machine torch consumables



Minimum order quantity			1	1	5	5	1
Consumable type	Torch type	Amperage	Shield/deflector	Retaining cap	Nozzle	Electrode	Swirl ring
Drag-cutting	Hand	45	420172	220977	420158	220971	220997
		65	420172		420169		
		125	420000		220975		



Minimum order quantity			1	1	5	5	1
Consumable type	Torch type	Amperage	Shield/deflector	Retaining cap	Nozzle	Electrode	Swirl ring
Mechanized	Machine	45	420168	220977 or 420156 (ohmic)	420158	220971	220997
		65	420168		420169		
		105-125	220976		220975		



Minimum order quantity			1	1	5	5	1
Consumable type	Torch type	Amperage	Shield/deflector	Retaining cap	Nozzle	Electrode	Swirl ring
Gouging	Hand/Machine	30-125	420112	220977	420001	220971	220997



Minimum order quantity			1	1	5	5	1
Consumable type	Torch type	Amperage	Shield/deflector	Retaining cap	Nozzle	Electrode	Swirl ring
FineCut®	Hand	45	420152	220977 or 420156 (ohmic)	420151	220971	420159
	Machine						220997



Duramax Hyamp consumable kits

Language combinations available		English	French/English	English/French/ Italian/Spanish	Spanish/ Portuguese	English/Swedish/ Norwegian/Finnish	English/German/ Polish/Czech
All-in-one kit	Handheld	851370	851430	851432	851433	851434	851431
	Mechanized	851380	851440	851442	851443	851444	851441
FineCut® kit	Handheld/mechanized	851400	851450	851452	851453	851454	851451

See pages 50-51 for current system part number information.



Duramax™ Hyamp™ 85° hand torch parts

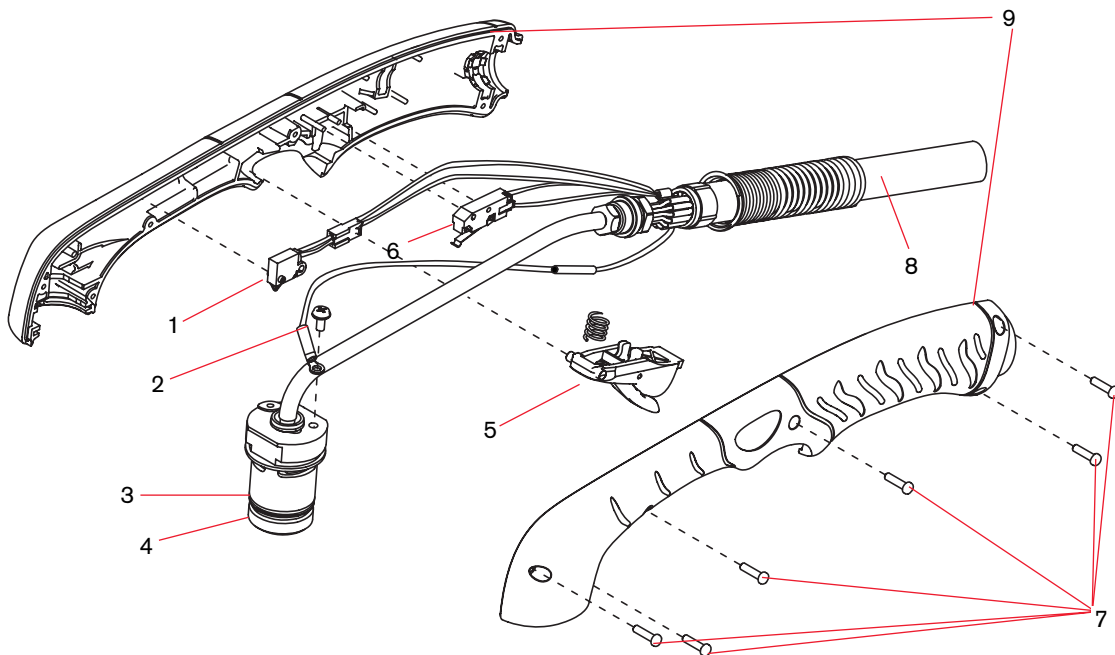


Duramax Hyamp 85° hand torch parts

The entire hand torch and lead assembly can be replaced, or individual component parts can be replaced. Use the following part numbers to replace the entire Duramax Hyamp 85° hand torch assembly. See Duramax Hyamp hand torch consumables on page 38 for a list of consumable part numbers. Part numbers starting with 059 indicate complete torch and lead assemblies.

Item	Kit/Part number	Description
	059492 ¹	Duramax Hyamp 85° hand torch assembly with 7.6 m (25') lead
	059493 ¹	Duramax Hyamp 85° hand torch assembly with 15 m (50') lead
	059494 ¹	Duramax Hyamp 85° hand torch assembly with 23 m (75') lead
1	228719	Kit: Duramax and Duramax Hyamp hand torch cap-sensor switch replacement
2	075696	Pilot terminal screw
3	428158	Kit: Duramax Hyamp 85° hand torch main body replacement
4	428253	Kit: Duramax Hyamp O-ring replacement (5)
5	428156	Kit: Duramax Hyamp hand torch trigger with spring replacement
6	428162	Kit: Duramax Hyamp start switch replacement
7	428148	Kit: Duramax Hyamp hand torch handle screws
8	428159	Kit: Duramax Hyamp hand torch lead replacement, 7.6 m (25')
8	428160	Kit: Duramax Hyamp hand torch lead replacement, 15 m (50')
8	428161	Kit: Duramax Hyamp hand torch lead replacement, 23 m (75')
9	428155	Kit: Duramax Hyamp 85° torch handle replacement
	428260	Kit: Duramax and Duramax Hyamp torch quick disconnect repair (lead side)

¹The torch assembly does not include consumables.



See pages 50-51 for current system part number information.

Duramax™ Hyamp™ 15° hand torch parts

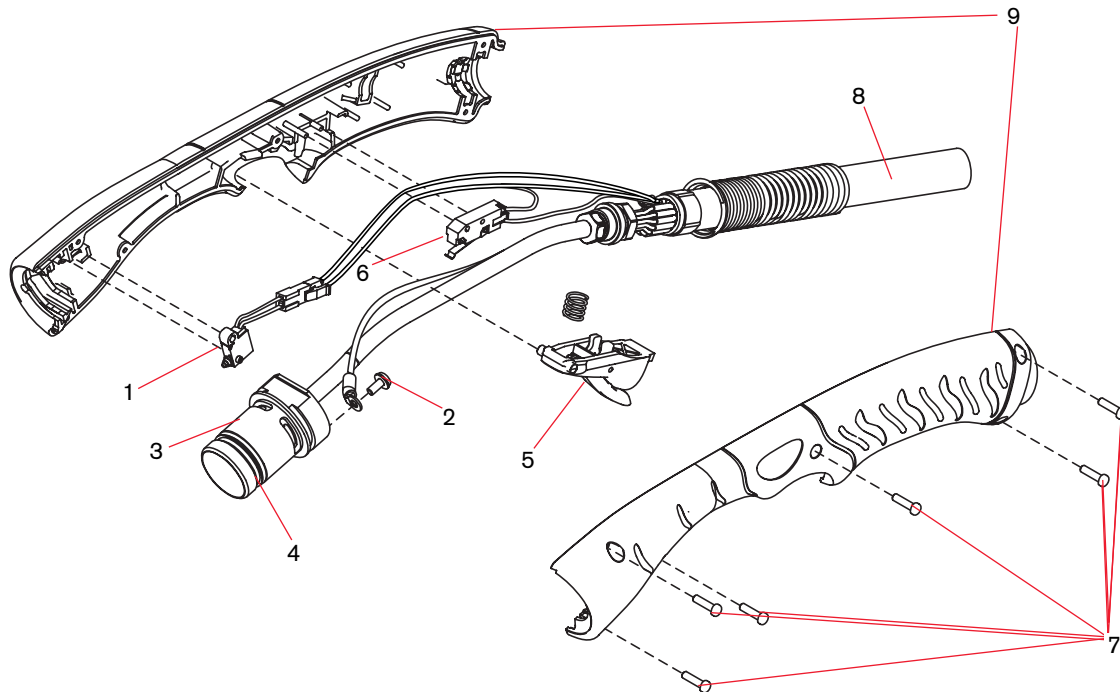


Duramax Hyamp 15° hand torch parts

The entire hand torch and lead assembly can be replaced, or individual component parts can be replaced. Use the following part numbers to replace the entire Duramax Hyamp 15° hand torch assembly. See Duramax Hyamp hand torch consumables on page 38 for a list of consumable part numbers. Part numbers starting with 059 indicate complete torch and lead assemblies.

Item	Kit/Part number	Description
	059495 ¹	Duramax Hyamp 15° hand torch assembly with 7.6 m (25') lead
	059496 ¹	Duramax Hyamp 15° hand torch assembly with 15 m (50') lead
	059497 ¹	Duramax Hyamp 15° hand torch assembly with 23 m (75') lead
1	228719	Kit: Duramax and Duramax Hyamp hand torch cap-sensor switch replacement
2	075696	Pilot terminal screw
3	428157	Kit: Duramax Hyamp 15° hand torch main body replacement
4	428253	Kit: Duramax Hyamp O-ring replacement (5)
5	428156	Kit: Duramax Hyamp hand torch trigger with spring replacement
6	428162	Kit: Duramax Hyamp start switch replacement
7	428148	Kit: Duramax Hyamp hand torch handle screws
8	428159	Kit: Duramax Hyamp hand torch lead replacement, 7.6 m (25')
8	428160	Kit: Duramax Hyamp hand torch lead replacement, 15 m (50')
8	428161	Kit: Duramax Hyamp hand torch lead replacement, 23 m (75')
9	428154	Kit: Duramax Hyamp 15° torch handle replacement
	428260	Kit: Duramax and Duramax Hyamp torch quick disconnect repair (lead side)

¹The torch assembly does not include consumables.



See pages 50–51 for current system part number information.

Duramax™ Hyamp™ 180° full-length machine torch parts

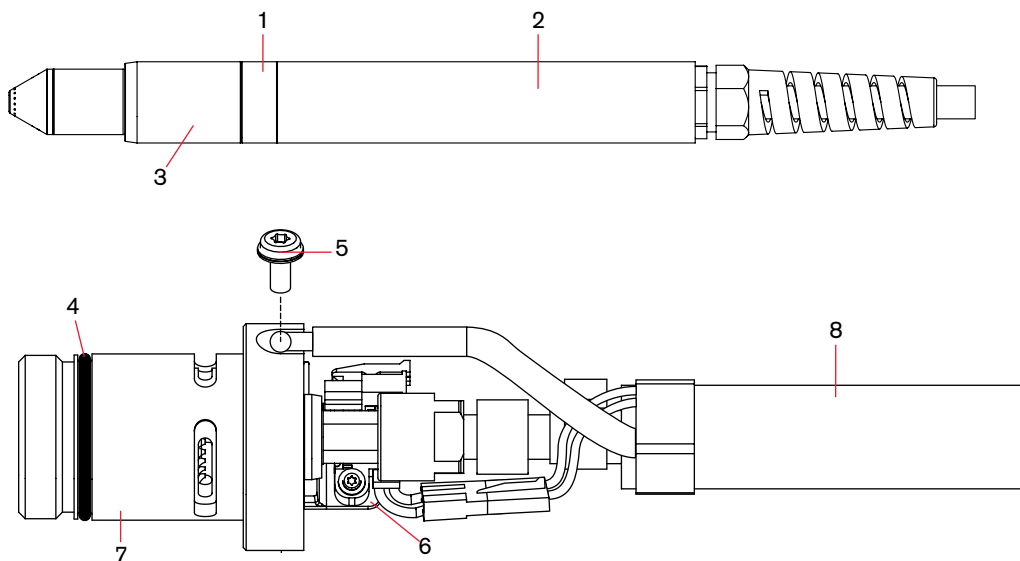


Duramax Hyamp 180° full-length machine torch assembly

The entire machine torch and lead assembly can be replaced, or individual component parts can be replaced. Use the following part numbers to replace the entire Duramax Hyamp 180° full-length machine torch assembly. See Duramax Hyamp mechanized torch consumables on page 38 for a list of consumable part numbers. Part numbers starting with 059 indicate complete torch and lead assemblies.

Item	Kit/Part number	Description
	059519 ¹	Duramax Hyamp 180° full-length machine torch assembly with 4.6 m (15') lead
	059520 ¹	Duramax Hyamp 180° full-length machine torch assembly with 7.6 m (25') lead
	059521 ¹	Duramax Hyamp 180° full-length machine torch assembly with 10.7 m (35') lead
	059522 ¹	Duramax Hyamp 180° full-length machine torch assembly with 15 m (50') lead
	059523 ¹	Duramax Hyamp 180° full-length machine torch assembly with 23 m (75') lead
1	428248	Kit: Duramax Hyamp 180° machine torch coupler
2	428144	Kit: Duramax Hyamp 180° full-length machine torch positioning sleeve
3	428145	Kit: Duramax Hyamp 180° machine torch mounting sleeve
4	428253	Kit: Duramax Hyamp O-ring replacement (5)
5	075696	Pilot terminal screw
6	228720	Kit: Duramax/Hyamp/MRT 180° machine torch cap-sensor switch replacement
7	428147	Kit: Duramax Hyamp 180° machine torch main body replacement
8	428149	Kit: Duramax Hyamp 180° machine torch lead replacement, 4.6 m (15')
8	428150	Kit: Duramax Hyamp 180° machine torch lead replacement, 7.6 m (25')
8	428151	Kit: Duramax Hyamp 180° machine torch lead replacement, 10.7 m (35')
8	428152	Kit: Duramax Hyamp 180° machine torch lead replacement, 15 m (50')
8	428153	Kit: Duramax Hyamp 180° machine torch lead replacement, 23 m (75')
	428260	Kit: Duramax and Duramax Hyamp torch quick disconnect repair (lead side)

¹The torch assembly does not include consumables.



See pages 50-51 for current system part number information.

Duramax™ Hyamp™ mini machine torch parts

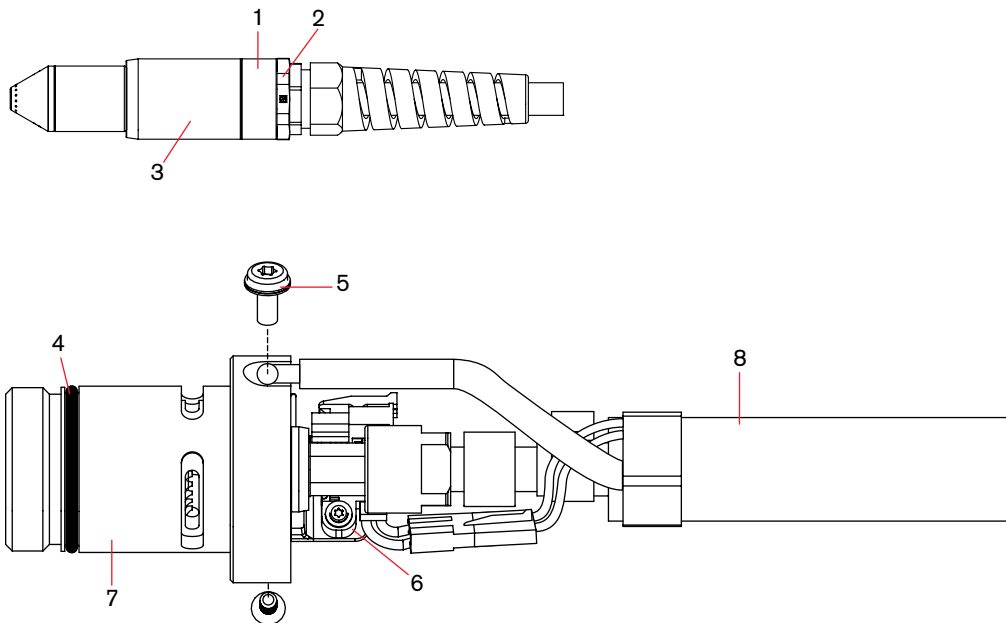


Duramax Hyamp 180° mini machine torch assembly

The entire machine torch and lead assembly can be replaced, or individual component parts can be replaced. Use the following part numbers to replace the entire Duramax Hyamp 180° mini machine torch assembly. See Duramax Hyamp mechanized torch consumables on page 38 for a list of consumable part numbers. Part numbers starting with 059 indicate complete torch and lead assemblies.

Item	Kit/Part number	Description
	059514 ¹	Duramax Hyamp 180° mini machine torch assembly with 4.6 m (15') lead
	059515 ¹	Duramax Hyamp 180° mini machine torch assembly with 7.6 m (25') lead
	059516 ¹	Duramax Hyamp 180° mini machine torch assembly with 10.7 m (35') lead
	059517 ¹	Duramax Hyamp 180° mini machine torch assembly with 15 m (50') lead
1	428248	Kit: Duramax Hyamp 180° machine torch coupler
2	428146	Kit: Duramax Hyamp 180° mini machine torch adapter ring
3	428145	Kit: Duramax Hyamp 180° machine torch mounting sleeve
4	428253	Kit: Duramax Hyamp O-ring replacement (5)
5	075696	Pilot terminal screw
6	228720	Kit: Duramax/Hyamp/MRT 180° machine torch cap-sensor switch replacement
7	428147	Kit: Duramax Hyamp 180° machine torch main body replacement
8	428149	Kit: Duramax Hyamp 180° machine torch lead replacement, 4.6 m (15')
8	428150	Kit: Duramax Hyamp 180° machine torch lead replacement, 7.6 m (25')
8	428151	Kit: Duramax Hyamp 180° machine torch lead replacement, 10.7 m (35')
8	428152	Kit: Duramax Hyamp 180° machine torch lead replacement, 15 m (50')
	428260	Kit: Duramax and Duramax Hyamp torch quick disconnect repair (lead side)

¹The torch assembly does not include consumables.



See pages 50–51 for current system part number information.