

# Powermax45®

## T45v/T45m hand/machine torch consumables



Minimum order quantity		1	1	5	5	1	
Consumable type	Torch type	Amperage	Shield/deflector	Retaining cap	Nozzle	Electrode	Swirl ring
Drag-cutting	Hand	30 <sup>1</sup>	220569	220483	220480	220478	220479
		45	220674	220713	220671 <sup>2</sup>	220669 <sup>2</sup>	220670

<sup>1</sup>Use T30v 30 A consumables for fine feature cutting on thin metals.  
<sup>2</sup>Consumable available in bulk packaging. See order information below.



Minimum order quantity		1	1	5	5	1	
Consumable type	Torch type	Amperage	Shield/deflector	Retaining cap	Nozzle	Electrode	Swirl ring
Mechanized	Machine	45	220673 <sup>2</sup>	220713 or 220719 (ohmic)	220671 <sup>2</sup>	220669 <sup>2</sup>	220670

<sup>2</sup>Consumable available in bulk packaging. See order information below.



Minimum order quantity		1	1	5	5	1	
Consumable type	Torch type	Amperage	Shield/deflector	Retaining cap	Nozzle	Electrode	Swirl ring
Gouging	Hand/Machine	20–40	220675	220713	220672	220669 <sup>2</sup>	220670

<sup>2</sup>Consumable available in bulk packaging. See order information below.



Minimum order quantity		1	1	5	5	1	
Consumable type	Torch type	Amperage	Shield/deflector	Retaining cap	Nozzle	Electrode	Swirl ring
Unshielded <sup>3</sup>	Hand/Machine	45	220717	220713	220718	220669 <sup>2</sup>	220670

<sup>2</sup>Consumable available in bulk packaging. See order information below.  
<sup>3</sup>In countries following CE standards, unshielded consumables may only be used in mechanized applications.



Minimum order quantity		1	1	1	1	
Consumable type	Torch type	Amperage	Retaining cap	Nozzle	Electrode	Swirl ring
HyAccess drag-cutting	Hand	15–45	420148	420144	420137	220670
HyAccess gouging		15–45		420147		



## T45v/T45m consumable kits

Language combinations available		English	French/English	English/French/Italian/Spanish	Spanish/Portuguese	English/Swedish/Norwegian/Finnish	English/German/Polish/Czech
All-in-one kit	Handheld CSA	850490	850827	N/A	850826	N/A	N/A
	Handheld CE	850740	N/A	850831	N/A	850829	850830
HyAccess kit	428337	428337	428337	428337	428337	428337	428337

## T45v/T45m consumable bulk kits

Order quantity	25	25	10
Bulk kit part number	228843	228844	228845
Contents	220671 nozzle	220669 electrode	220673 shield

See pages 50–51 for current system part number information.



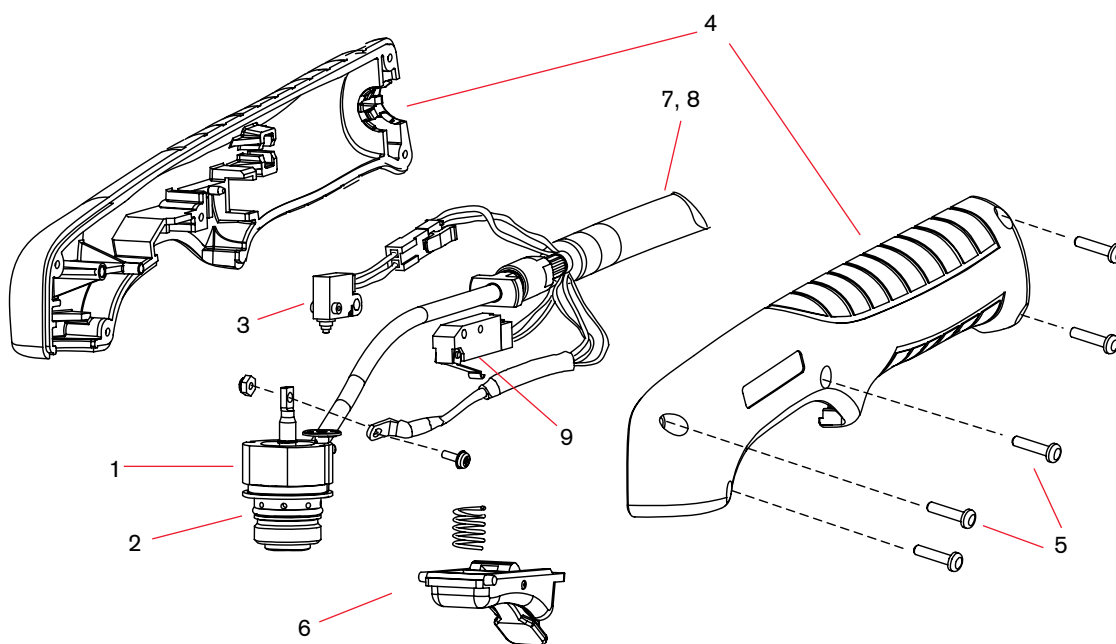
# T45v hand torch parts



## T45v hand torch parts

Item	Kit/Part number	Description
	088008 <sup>1</sup>	T45v hand torch assembly with 6.1 m (20') leads
	088009 <sup>1</sup>	T45v hand torch assembly with 15.2 m (50') leads
1	228346	Kit: Torch body replacement
2	058503	O-ring: torch body
3	228109	Kit: Cap-sensor switch replacement
4	228313	Kit: handle
5	075714	Handle screws
6	002244	Safety trigger and spring replacement
7	228315	Kit: Torch lead replacement, 6.1 m (20')
8	228316	Kit: Torch lead replacement, 15.2 m (50')
	228300	Work lead with clamp, 6.1 m (20')
	228307	Work lead with clamp, 15.2 m (50')
9	128642	Kit: T45v/T30v start switch replacement

<sup>1</sup>Assembly includes consumables.



See pages 50-51 for current system part number information.

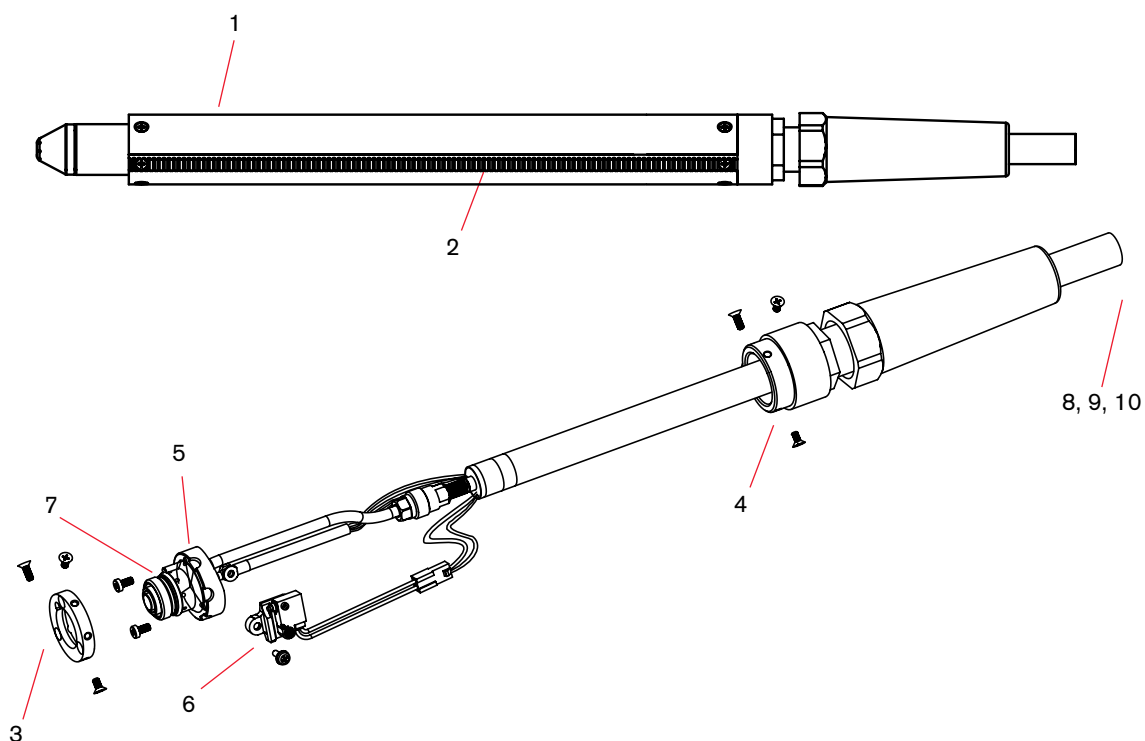
# T45m machine torch parts



## T45m machine torch parts

Item	Kit/Part number	Description
	088010 <sup>1</sup>	T45m machine torch assembly with 7.6 m (25') leads
	088011 <sup>1</sup>	T45m machine torch assembly with 10.7 m (35') leads
	088012 <sup>1</sup>	T45m machine torch assembly with 15.2 m (50') leads
1	228228	Kit: T45m positioning sleeve
2	228229	Kit: T45m removable gear rack
3	228322	Kit: Front mounting ring
4	228323	Kit: Rear mounting ring
5	228320	Kit: T45m torch body replacement
6	228321	Kit: T45m cap-sensor switch replacement
7	058503	O-ring: torch body
8	228317	T45m torch lead replacement, 7.6 m (25')
9	228318	T45m torch lead replacement, 10.7 m (35')
10	228319	T45m torch lead replacement, 15.2 m (50')
	128650	On/Off pendant for machine torch, 7.6 m (25')
	128651	On/Off pendant for machine torch, 15.2 m (50')
	128652	On/Off pendant for machine torch, 22.8 m (75')
	228300	Work lead with clamp, 6.1 m (20')
	228307	Work lead with clamp, 15.2 m (50')

<sup>1</sup>Assembly includes consumables.



See pages 50–51 for current system part number information.